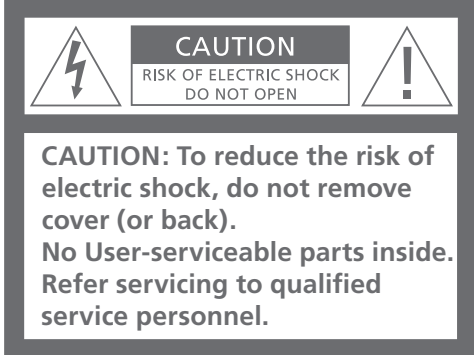


Reference book



WARNING: To prevent fire or electric shock, do not expose this appliance to rain or moisture. Do not expose this equipment to dripping or splashing and ensure that no objects filled with liquids, such as vases, are placed on the equipment.

To completely disconnect this equipment from the AC Mains, disconnect the power supply cord plug from the AC receptacle.



This symbol indicates that a dangerous voltage constituting a risk of electric shock is present within this unit.



This symbol indicates that there are important operating and maintenance instructions in the literature accompanying this unit.

The BeoSound 9000 is an extraordinary CD player with a built-in radio.

BeoSound 9000 gives you perfect sound reproduction and changes tracks and CDs at a formidable pace. You will experience six Compact Discs as one piece of music – virtually one CD.

The system can be placed anywhere you want music – in traditional placements; on a table, hanging on a wall, or on the specially designed, vertical stand. The choice is yours.

The BeoSound 9000 represents a new and visual way of experiencing music.

Contents of the Reference book

To get to know your Bang & Olufsen product, two guides are at your disposal.



The *Guide* provides information on daily use. The *Reference book* gives a thorough overview of all aspects.

To the right, you find the contents of this Reference book, the main chapters of the Guide are listed below:

- Your key to using BeoSound 9000, 4
- Using the CD player, 6
- Using the radio, 9
- Adjust the volume, 10

Before you start...

- 6 Cautions

How to set up BeoSound 9000

- 7 Placing your BeoSound 9000
- 9 Centering the CD drive mechanism
- 33 Option programming

Connect the cables

- 10 Aerial
- 10 Loudspeakers
- 10 Extra equipment
- 10 Master Link
- 11 Digital output
- 11 To the mains

Getting started

- 12 Close-up operation panel

Set the time

- 13 Using the built-in clock

Make BeoSound 9000 start or stop at a specific time

- 14 Set a Timer
- 15 Set a Timer for single date
- 15 Set a weekly Timer
- 16 Checking or clearing Timers
- 17 Switching the Timer function on or off
- 17 Choose location for the Timer function

Playing CDs

- 18 Loading CDs
- 19 CD playback

Playing CDs in different ways

- 20 Choosing a sequence of discs
- 20 Playing CDs and tracks in random order

Playing favourite CD tracks

- 21 Select and store a series of tracks
- 21 Enable or disable playback of a track series

Name your CDs

- 22 Name a CD
- 22 See the list of CD names

Positioning CDs

- 23 Load and adjust a CD manually
- 23 Clear the positioning

Display CD information

- 24 Switching between displays

Playing other sources

- 25 Listen to external sources

Using the radio

- 26 Presetting radio stations
- 26 Clearing presets

Optimise radio sound

- 27 Fine tuning a radio station
- 27 Mono/stereo reception

Name radio stations

- 28 Naming radio stations
- 28 Clear a name

Play your radio stations

- 29 Playing radio
- 29 Switching between displays

Adjust and store sound settings

- 30 Sound adjustments

Using the Beo4 remote control

- 31 Beo4 remote control operation

Use BeoSound 9000 with a video system

- 32 A fully integrated setup
- 32 An AV integrated setup
- 33 Option programming

Looking after BeoSound 9000

- 34 Cleaning BeoSound 9000
- 35 Handling your CDs

The PIN-code system

- 36 Activate the PIN-code system
- 36 Change or delete a PIN-code
- 37 Using your PIN-code
- 37 Did you forget your PIN-code?

Key to using this guide

Use this key to identify what a button, source or status display looks like in an instruction sequence.

RADIO	Buttons on the BeoSound 9000 close-up operation panel or on the Beo4 remote control
CD	
OK	
CD	Displays on the BeoSound 9000
EDIT ?	
CD	Displays on the Beo4 remote control
RANDOM	

Before you start...

We recommend that you follow this procedure when you set up your BeoSound 9000:

- Place the BeoSound 9000 where you want to use it.
- If you wish to mount BeoSound 9000 on a wall bracket or floor stand accessory, then assemble the accessory according to the folder enclosed with it.
- Set up your loudspeakers (or, if the BeoSound 9000 is to be used in a Bang & Olufsen AV system, set up this system) following the procedures described in the guides enclosed with these products.
- Connect all cables to their sockets on the rear panel of the BeoSound 9000 – remember not to connect it to the mains yet!
- Arrange the cables in the cable cover grooves and attach the cover to the rear of the BeoSound.
- Connect BeoSound 9000 to the mains.

Cautions

■ Make sure that the BeoSound 9000 is set up, placed and connected, in accordance with the instructions in this guide.

■ The BeoSound 9000 is designed for indoor use in dry, domestic environments only, and for use within a temperature range of 10–40° C (50–105° F).

■ Avoid placing the BeoSound 9000 in direct sunlight or direct artificial light (e.g. a spotlight), or near objects generating electrical noise (e.g. dimmers), as this will reduce the sensitivity of the remote control receiver.

■ Place the BeoSound 9000 so that ventilation will not be impeded, and remember to leave enough space above or in front of the BeoSound 9000 for the glass door to open, and to facilitate close-up operation.

■ If you are going to hang the BeoSound 9000 on the wall, always use the correct size and type of screws and wall plugs to support the weight of the BeoSound 9000 (depending on the material and the construction of the wall). If in doubt, consult your Bang & Olufsen retailer.

■ Light partition walls are often constructed of gypsum panels – known as drywall or wall board – secured to vertical studs. Gypsum is not a satisfactory material to support the weight of the BeoSound 9000!

■ If you wish to hang your BeoSound 9000 on a gypsum wall, using one of the brackets, we recommend that at least one mounting screw be a lag screw, which is screwed securely into a vertical wall stud.

■ If you wish to hang BeoSound 9000 on the wall we recommend that you conceal the cables using the optional Cable Covers, as shown on the opposite page.

■ When you are lifting the BeoSound 9000 out of the box we recommend that you, in order to avoid fingermarks on the surfaces, use the two foam packing shells placed at each end of the BeoSound 9000.

As illustrated in this section, BeoSound 9000 is designed for a variety of placements. It can be placed on a special stand, on a shelf or a table in various positions – or hanging on the wall (using one of the optional wall brackets).

This section also describes how to centre the CD mechanism for the different setup situations mentioned here – this is very important for the proper functioning of the CD player!

The section *Getting started* describes how to turn the close-up operation panel (and the display) so it can be read from your preferred angle.

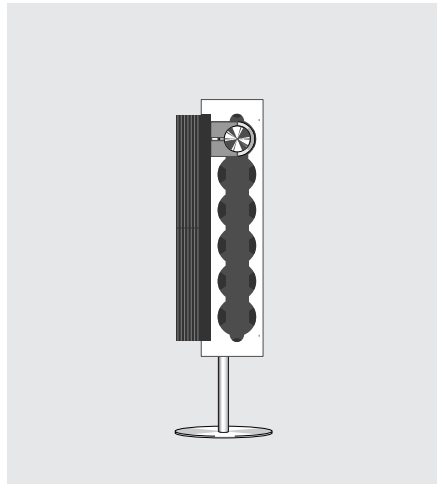


Fig. 1: The BeoSound 9000 placed in a vertical position. When BeoSound 9000 is placed like this, the CD mechanism must be centred for a vertical position. The Stand is supplied with two different sets of feet:

- spikes for use on a carpeted floor
- rubber feet for use on a non-carpeted floor.

Do not lift or move the Stand around while the BeoSound 9000 is mounted on it.

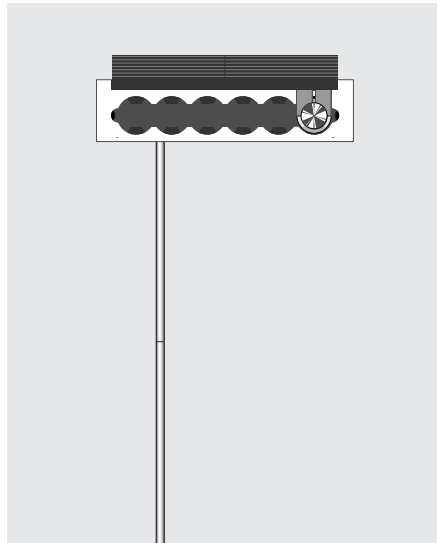


Fig. 2: The BeoSound 9000 hung flat on the wall in a high horizontal position. When BeoSound 9000 is placed like this, the CD mechanism must be centred for a horizontal position.

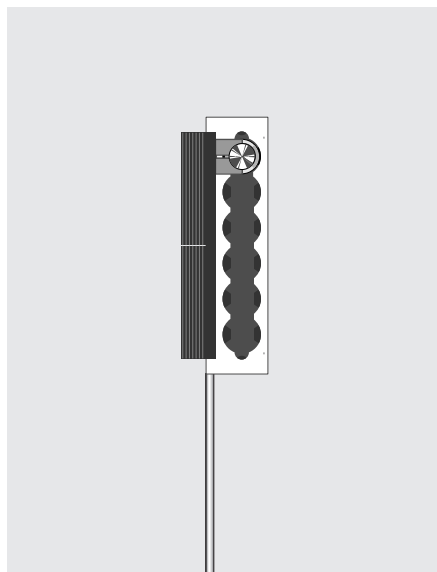


Fig. 3: The BeoSound 9000 hung flat on the wall in a vertical position. When BeoSound 9000 is placed like this, the CD mechanism must be centred for a vertical position.

NOTE! Depending on the placement you have chosen for your BeoSound 9000, the carriage will situate itself in various positions. If you choose to place BeoSound 9000 vertically, the carriage will move to the top end of BeoSound 9000. If you choose to place the BeoSound 9000 horizontally, the carriage will situate itself next to the operation panel.

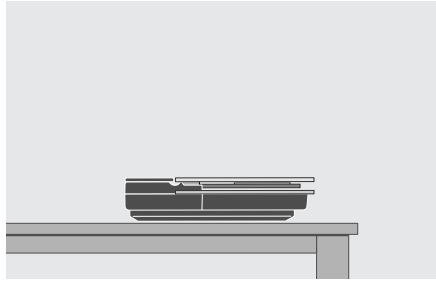


Fig. 4: The BeoSound 9000 placed flat on a level surface, e.g. a table or shelf. When BeoSound 9000 is placed like this, the CD mechanism must be centered for a flat position (factory setting).

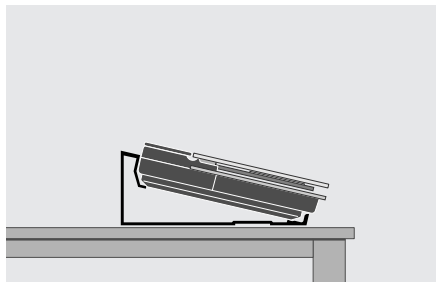


Fig. 5: The BeoSound 9000 placed in a slant position on a level surface, e.g. a table or shelf. When BeoSound 9000 is placed like this, the CD mechanism must be centered as for a flat position (factory setting).

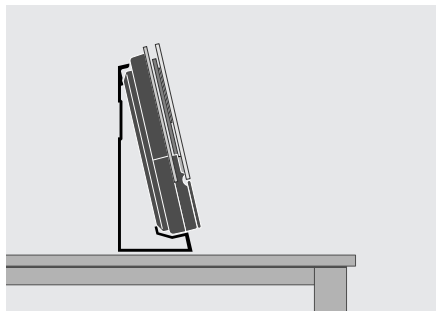


Fig. 6: The BeoSound 9000 placed in a near upright position on a level surface, e.g. a table or shelf. When BeoSound 9000 is placed like this, the CD mechanism must be centered for a horizontal position.

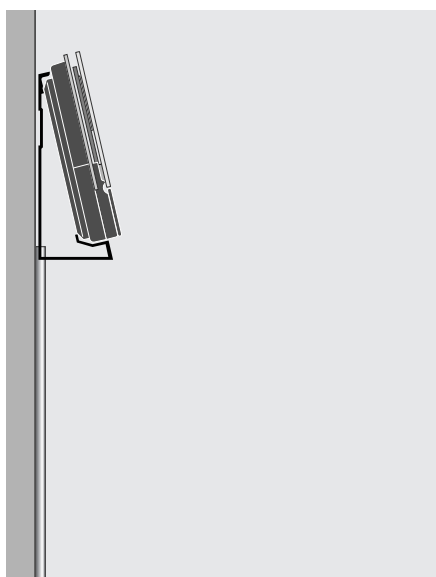


Fig. 7: The BeoSound 9000 hung low on the wall in a near upright position. When BeoSound 9000 is placed like this the CD mechanism must be centered for a horizontal position.

Centering the CD drive mechanism

The CD mechanism is spring suspended in order to make the BeoSound 9000 'party-safe'. By centering the CD mechanism, you adjust the tension of the spring suspension to allow for different placements.

It is very important for the functioning of the CD player that you adjust the spring suspension correctly!

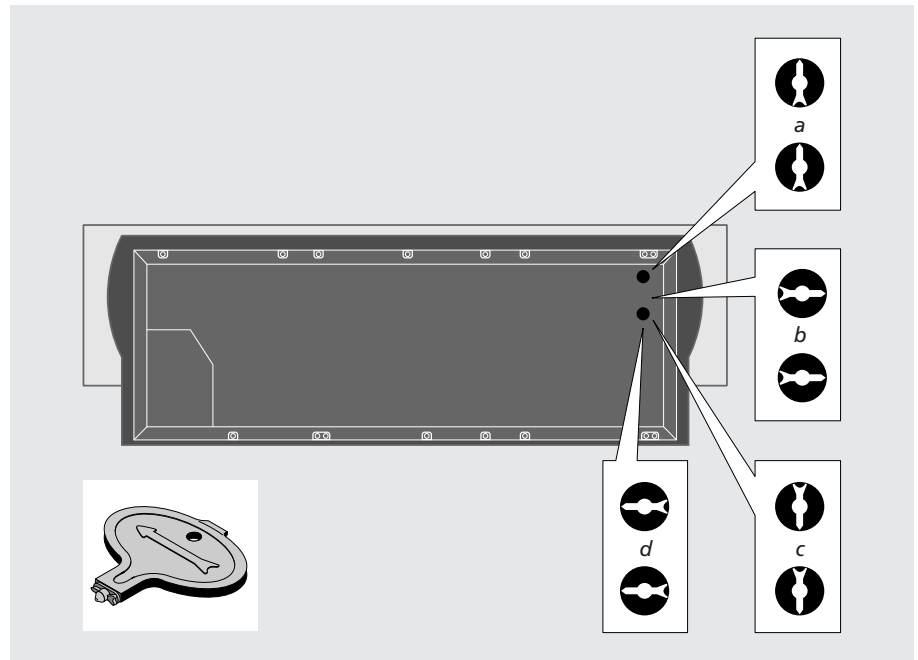
The spring suspension in the two adjustment holes can be set to four different positions:

a) Use this setting when BeoSound 9000 is placed in the Bracket as in figs 6 and 7.

b) Use this setting when BeoSound 9000 is placed either on its Stand, or hung vertically on the wall as in figs 1 and 3.

c) Use this setting when BeoSound 9000 is hung horizontally on the wall as in fig 2.

d) Use this setting when BeoSound 9000 is placed either flat on a table, or in the Bracket as in figs 4 and 5. This is the factory setting.



How to center the spring suspension

Enclosed with the Stand and the Brackets, you will find a small plastic tool, which you must use for this purpose:

- > Locate the two adjustment holes in the bottom plate of BeoSound 9000.
- > Pry off the two small plastic plugs (using the chisel-shaped end of the tool).
- > Insert the other end of the tool (the arrow-shaped end) and turn the tool so that the arrow in each hole points into the correct direction.
- > When finished put back the two plastic plugs again.

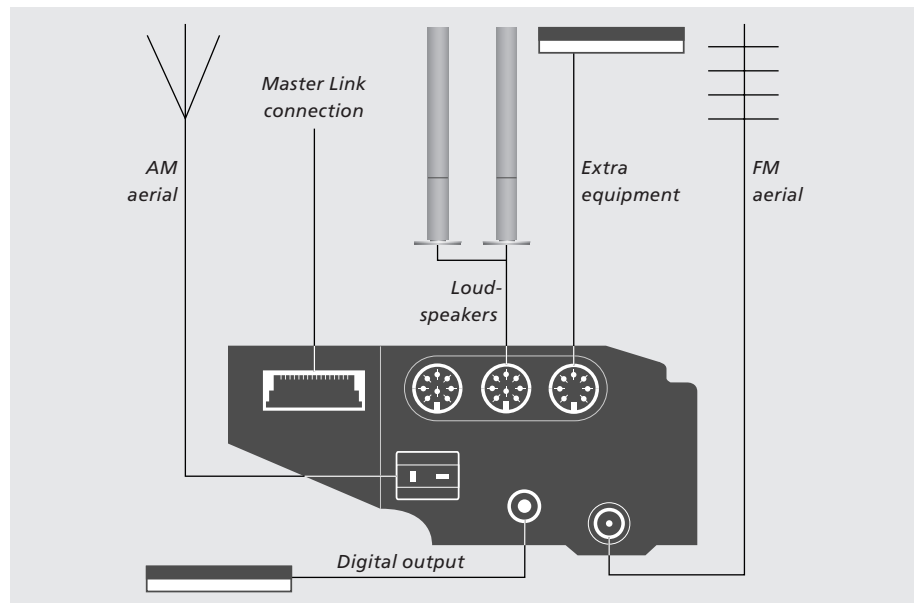
In all but the flat and the near flat positions, both arrows in the holes must point upwards when finished. In the flat position (factory setting) they must point towards the centre of BeoSound 9000.

Connect the cables

You can use your BeoSound 9000 in a stand-alone setup or connected to a Bang & Olufsen video system with a Master Link cable. The Master Link socket on the back of BeoSound 9000 can also be used for the distribution of sound to any room you like.

Use the diagram and the label on the socket panel for reference when locating the sockets.

Do not connect the BeoSound 9000 to the mains until you have finished connecting the cables.



Aerial connections

In order to obtain optimal reception of radio stations it is essential to use the correct type of aerial (FM and/or AM) or cable net connection. Let your Bang & Olufsen retailer advise you.

- > Connect your FM signal to the socket marked FM and your AM signal, if any, to the socket marked AM.
- > When using indoor aerials (either an FM dipole or AM loop aerial), tune in to the radio station you want and then turn the aerial horizontally until optimum signal is received.

Loudspeakers

You may choose to loop the signals through from speaker to speaker, as mentioned in the User's guide for your loudspeakers, or you may connect one speaker to each of the two sockets.

- > Connect your active Bang & Olufsen loudspeakers to the sockets marked PL.

Remember to set the L • R • LINE switch on your active speakers to L and R (left and right channel), respectively.

Extra equipment

The AUX socket enables you to connect e.g. a tape recorder or a record player (with built-in preamplifier). However, as this socket does not carry Data Link signals, you will not be able to operate the connected equipment by remote control. Just select A.AUX and then operate the extra equipment close-up.

- > Connect your extra equipment to the socket marked AUX.

Master Link connection

You can connect a video system or BeoLink system to the Master Link socket, in order to achieve an integrated AV system. The AV system may be set up in one room, or split up on two rooms.

The Master Link connection may also be used to distribute sound to other rooms in the house, in a BeoLink system. For further information, please contact your retailer.

- > Using a Master Link cable, connect one end to the socket marked ML (Master Link) on the BeoSound 9000 and the other end to the corresponding socket on the TV.

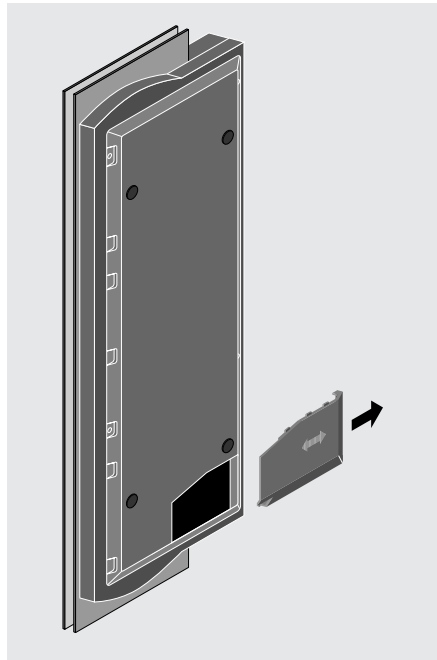
NOTE! For further information about a setup other than the stand-alone option, please refer to *Use BeoSound 9000 with a video system.*

Digital output

The socket marked DIG. OUT carry the digital signals from the CD player, and is intended for connecting digital equipment (output only).

Mains connection

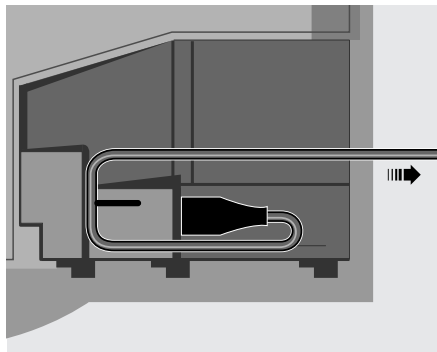
Plug the mains lead into the socket marked ~. When you have made all the connections, replace the cover to hide the socket compartment.



Remove the cover in the bottom plate of the BeoSound 9000 to gain access to the sockets. The socket compartment contains the socket for the mains cord.

The cover has two perforated sections, which you can pry off in order to make a hole through which to run the cables. Select one in an appropriate position to suit your setup.

If you have set up the BeoSound 9000 on the Stand, (see *How to set up BeoSound 9000*), a different cover must be used. This new cover is supplied with the Stand. Finally, connect the BeoSound 9000 (and the other units in your system) to the mains.



For safety reasons fasten the mains cord as shown, before running it out from the socket compartment.

Getting started

When you have finished the setting up procedure, the BeoSound 9000 is ready for use.

Keep BeoSound 9000 in stand-by mode to facilitate easy access and to ensure that Clock and Timer settings are always available.

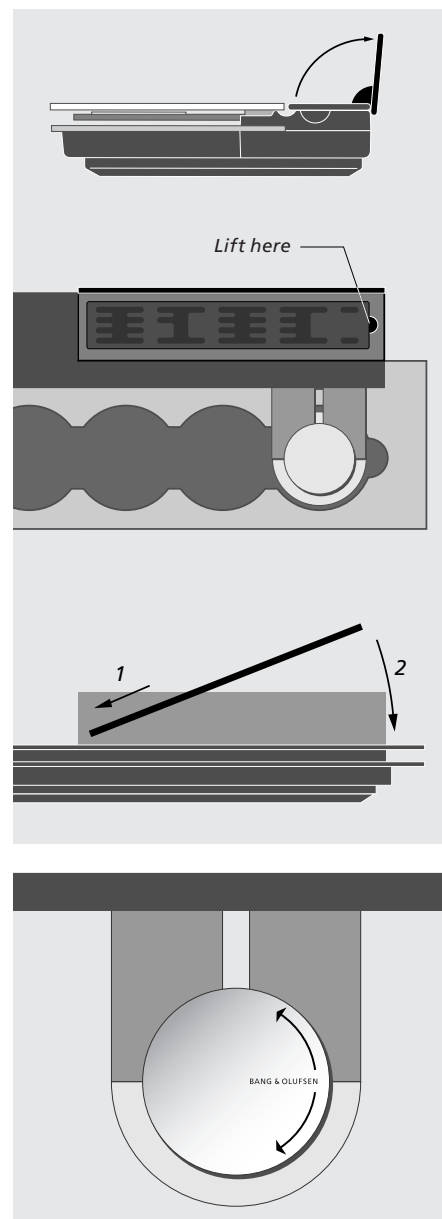
Close-up operation panel

In order to make reading easier in all placement situations, you can rotate the close-up operation panel (and thus the display):

- > Turn off the power.
- > Open the lid to gain access to the close-up operation panel.
- > Lift off the operation panel by inserting a finger where indicated, lift the panel out, rotate it, and insert it again (connectors first).

When you turn on the BeoSound 9000 a tiny red light appears in the display, indicating that the system is in stand-by mode, ready to be used.

- > Press the load button to open the glass door.
- > Remove the carton strip behind the CD clamp and the foam packing (these items are for protection of the CD drive and the glass door during transport).



You can rotate the CD clamper lid (with the Bang & Olufsen name) in order to ensure that the name always appears in a horizontal position (and not upside down).

Set the time

The BeoSound 9000 has a built-in clock indicating time, date and year.

If you want to make use of the Timer function described on the following pages, you must first make sure that the built-in clock in the BeoSound 9000 has been set correctly.

You can check the clock on the display to ensure that it is set correctly. If this is not the case you can change the setting in the process. You can also set the BeoSound 9000 to show the clock permanently, even when the system is in stand-by.

Using the built-in clock

When you want to make BeoSound 9000 display the correct time and be able to use the different Timer functions, you must first set the built-in clock.

- CLOCK** Press to access the built-in clock
- ▲ Press to set time, date or year
- ▼
- OK** Press to accept the changes and reveal the next display – repeat this setting procedure for date and year
- CLOCK OK?** When you have set or changed the year, the display reads CLOCK OK?
- OK** Press to store your new clock setting
- CLOCK** Press to show the time
- CLOCK** Press to see the date and year



When setting the clock, the display shows the time, date and year for your settings. It has a 24 hour clock – and it shows...

- ...
- JAN for January
- FEB for February
- MAR for March
- APR for April
- MAY for May
- JUN for June
- JUL for July
- AUG for August
- SEP for September
- OCT for October
- NOV for November
- DEC for December

The time display will be interrupted by the messages which follow other functions or operations, but it will return to displaying the time.

To display the time permanently...

- CLOCK** Press when Date and Year is displayed, to change the display to time and ON e.g. 14:40 ON
- CLOCK** Press again to cancel the permanent showing of the clock e.g. 14:41 OFF

If you should make a mistake or change your mind while you are setting the clock, just press CHECK – and start over.

Start or stop at a specific time

You can make BeoSound 9000 start or stop playing at designated times throughout the day and week.

The BeoSound 9000 can store up to 15 such Timer settings and you can use it to e.g. wake you in the morning to your favourite CD or radio station.

If, for example, you want the BeoSound 9000 to stop playing at a specific time in the evening, simply set a Timer with STANDBY as the source.

When you set a Timer for Monday, Tuesday and Thursday, the Timer will be executed on these days, every week.

If you use the BeoSound 9000 in a fully integrated Bang & Olufsen setup (see *Use BeoSound 9000 with a video system*), you have to set the Timer function to ON or OFF via the TV. The display on the BeoSound 9000 will read TV OPERATED.

Set a Timer

For a Timer stand-by setting all the BeoSound 9000 needs to know, is the time you want it to stop playing, and how often. As soon as you choose a stand-by Timer, a display will prompt you to choose when the Timer should stop.

TIMER

Press to start programming settings

When you program a Timer for your available sources, you will have to choose the station/channel where you want to program a Timer play. When you choose a station for RADIO, the station you listened to last will appear. For TV and SAT channel 1 will appear as your first option.



Press to choose a source for your Timer or choose a Timer stand-by



OK

Press to accept the source

From your available broadcasted sources e.g. TV and RADIO, you can only choose stations/channels that have already been stored.

Then program when you want the Timer to start and stop...

Using your Beo4 remote control...

- > Press the red button for more than 1.5 sec. until the display reads TIMER?
- > Press **GO** to continue. Use the **GO** button, the buttons **▲** and **▼** and the number buttons **0 – 9** during the timing procedure to see options and select between these.



Press repeatedly until you have found the exact time for starting a Timer play



OK

Press to accept Start Timer

Repeat the procedure with the **▲** and **▼** and OK buttons to program the exact time for stopping a Timer.

If you should change your mind while you are setting a Timer, simply press a source button, CD or Radio, to exit the Timer programming function. While you are setting a Timer, pressing the CHECK button will take you back one step in the sequence.

Set a Timer for single date

When you want to program a Timer for a single date, you must choose the 'Single date' option in the Timer menu.

- ▲
▼
SINGLE DATE? Choose the *single date* option from the menu, in the display – SINGLE DATE? appears
- ▲
▼
DATE 15 NOV? Press to display the date you want to program a Timer for
- ▲
▼
OK The display shows the date
- ▲
▼
OK Press to accept the selection
- ▲
▼
OK Press to store your Timer programming and return to normal source operations
- TIMER STORED** The display shows that you have stored the settings

If you choose SINGLE DATE, the cue DATE and today's date in the display prompts you to choose a date within the next year.

Set a weekly Timer

When you want to program a weekly Timer as a Timer play or Timer stand-by, you must choose the 'Days' option in the Timer menu. If you choose DAYS, the display will prompt you to fill in the weekdays on which you want the system to carry out the Timer.

- ▲
▼
DAYS? Choose the *Days* option from the menu, in the display – DAYS? appears
- OK** Press to access a display where you can fill in the days you want to program the Timer for
- ▲
▼
FRI? M_WT Press to include a weekday
- ▲
▼
OK? M_WTF_S Press to exclude a weekday
- OK? M_WTF_S** When you have gone through the whole week the display will prompt you to store your Timer entry
- OK** Press to store your Timer entry
- TIMER STORED** The display shows that you have stored the settings

The display for weekly programming entails the first letters of the days you accepted (M, T, W, T, F, S, S) and underscores (_) for the days you did not choose.

When you set the BeoSound 9000 to carry out a Timer on forthcoming, selected weekdays, these days are presented as abbreviations:

- MON for *Monday*
- TUE for *Tuesday*
- WED for *Wednesday*
- THU for *Thursday*
- FRI for *Friday*
- SAT for *Saturday*
- SUN for *Sunday*

NOTE! The list of sources shown in the display contains N.MUSIC (for music tracks stored on your PC) and N.RADIO (for radio sites on the Internet). These sources are available if you have connected your BeoSound 9000 to BeoLink PC 2 and have access to the Internet.

Checking or clearing Timers

You can look up each Timer programming entry to check its contents or cancel it completely.

CHECK	Press to check your Timers
▲ ▼	Press to see Timer programming number and source for the individual Timer entries
OK	Press repeatedly to display the details of a particular programming
OK?	When the display reads OK?...
▲ ▼	Press to display NEXT? to see your next Timer programming entry
OK NO MORE	Press to see your next entry – If there are no more entries, NO MORE, will appear in the display
CLEAR CLEARED	Press clear while information regarding a Timer programming is displayed in the display – CLEARED will appear on the display

```
1? RADIO 12
20:00--21:00
MT__FS_
```

The first display shows Timer entries in numerical order with source and station number, the second shows the indication of time for starting and stopping, and the third displays the days for which the Timer is set. This is an on-off programming. In all three instances, clearing of the settings is possible.

Switching the Timer function on or off

The Timers you have programmed into the BeoSound 9000 can all be executed with or without activating the loudspeakers which are either directly connected to the BeoSound 9000 or are connected to it via BeoLink. The Timer ON/OFF function determines whether a Timer Play can be heard on the loudspeakers.

ON/OFF

Press to cut in or press again to cut out the loudspeakers

TIMER ON

TIMER OFF

When you first press ON/OFF, TIMER ON or TIMER OFF will appear in the display, according to the setting you have previously made

Choose location for the Timer function

In order to hear your Timer play programmings, you must activate the loudspeakers in the room or rooms where you want music by switching the Timer function to ON. If you set the Timer function to OFF, your speakers will be muted.

If you therefore choose to set the speakers next to your BeoSound 9000 to OFF, but set your extra speakers in your bedroom to ON, the Timer play will be carried out, and you will hear it through your extra speakers in your bedroom.

However, if all Timer functions for the speakers connected to the BeoSound 9000 as well as on all your connected systems are set to OFF, a Timer will not be activated.

Playing CDs

When you have loaded your BeoSound 9000 with 1–6 CDs, you are ready to start playing your CDs.

When you press the CD button to start playing, the CD where the carriage is situated will start playing from the beginning.

You can easily change between the different CDs and the individual tracks, to achieve the sequence of tracks you prefer.

When your first CD has finished playing, the carriage automatically moves to the next CD you have loaded and starts playing this new CD.

If you choose to hear another source, the CD player switches off automatically.

Loading CDs

When you want to have access to load or remove your CDs, simply use the load button on the front of BeoSound 9000.

- ▲ Press to raise the glass door
- ▲ Press to lower the glass door
- CD Press to lower the door and start playing

If you leave the glass door open, it will close automatically after 5 minutes. If BeoSound 9000 is left paused or stopped for more than 30 minutes, it automatically switches to stand-by.

If the glass door is open and the carriage is placed over a CD you want to remove, simply move the carriage to another position by pressing the direct CD selection button in front of a compartment.

The carriage registers whether the CD compartments you ask for are empty or not, and until the glass door is opened again, it will remember the state of the compartments.



The CD must be loaded with the text side facing you. Hold the CD by its edges and insert the CD (top section). To unload the CD, hold it by its edges and push the CD slightly forward to release it.

CD playback

When you want to play a specific CD, simply press the direct CD selection button* placed next to the CD compartment. The carriage then moves to the CD you have chosen, and playback starts.

CD	Press to play a CD	When you are using your BeoSound 9000 CD player, a tiny red indicator is lit beside all the occupied compartments. If, for example, you choose a sequence of discs to be played, only the indicators next to the CDs you have chosen will be lit, even though you have loaded six CDs.
▲	Press to play the next track on a CD	
▼	Press to play the same track again or press twice to play the previous track	
PAUSE	Press to pause playback	
CD	Press to resume playing	
VOL ▲	Press to raise the volume	
VOL ▼	Press to lower the volume	
MUTE	Press to silence the speakers	
MUTE	Press again to recall the sound	
•	Press to switch to stand-by	

**The CD selection buttons can also be used to step through the tracks of your CDs. Press the button once – and you select the CD, press it continuously – and you step through the tracks of the chosen CD.*

Playing CDs in different ways

Make BeoSound 9000 play your favourite CDs in the particular sequence you want, or play your CDs in random order to vary your listening experience.

Every time a CD is included in a sequence, the red indicator next to the CD compartment lights up.

You can choose to combine the RANDOM function with the EDIT function and play your favourite tracks in a random order. You can also combine these two functions with SELECT and choose to play only your favourite tracks from for instance two CDs in random order.

Refer to *Playing favourite CD tracks* for further information about the EDIT function.

Choosing a sequence of discs

The select option allows you to choose a specific sequence of CDs you wish to listen to. The CDs you have chosen will start playing in numerical order.

CD	Press to start playback of a CD
SELECT SELECT DISC	Press to make SELECT DISC appear
	<i>Press the direct CD selection buttons next to the CDs you want to include...</i>
SELECT	Press to start clearing a sequence and play all six CDs
CLEAR	Press to clear the sequence

To leave out a CD you have included in the sequence...

SELECT	Press to be able to remove a CD*, and...
	<i>...press the direct CD selection button next to the CD you want to remove</i>

To listen to a CD you have not included in your disc sequence, simply press the direct CD selection button next to the CD you want to hear, and playback will start immediately.

Playing CDs and tracks in random order

The random play function plays CDs and tracks on individual CDs in a random order. Also chosen CDs and track series can be played in random order.

CD	Press to start playing a CD
RANDOM RANDOM ON	Press to display RANDOM ON and cut in the random play function
RANDOM RANDOM OFF	Press twice to display RANDOM OFF and cancel the random play function

*NOTE! The SELECT option lasts for 25 seconds from when you pressed SELECT. If you press a direct selection button after the SELECT option has ended, the disc you chose will start playback immediately and override your sequence. When it has finished playing, BeoSound 9000 will continue playing the sequence you chose before.

The edit function enables you to program series of tracks for your individual CDs and store them permanently. Editing a CD means that you include or exclude each track on the CD while scanning it as described to the right.

The first 15 seconds of each track on the CD will be played. On the display the track number you are currently playing will appear. During this 15-second playback, you must include the particular track into the series or exclude the track. As soon as you press either button, the next track on the CD starts playing*.

Select and store a series of tracks

Before making your own series of tracks you must start playing the CD.

CD	Press to play CD
EDITING EDITING?	Press to scan the CD EDITING? appears on the display
OK	Press to start scanning the tracks
▲	Press to include a track number in the series, or...
▼	...Press to exclude a track number from the series
EDITING OK	EDITING OK appears when you have included or excluded the last track
OK	Press to accept the track series

To clear a track series...

	Choose the CD which track series you want to clear...
EDITING	Press to access the programming option
CLEAR	Press to clear the track series altogether

Enable or disable playback of a track series

Whenever you load an edited CD, only the selected tracks will be played. These are played in numerical order. However, you can choose to listen to the entire CD. You can also delete the series of tracks you have made, to always play the CD in full.

CD	Press to play a CD
EDIT	Press to start edited playback
EDIT ON	EDIT ON appears
EDIT EDIT OFF	Press twice to play a CD in full and cancel EDIT – EDIT OFF appears

If you cancel the edit function while an edited CD is playing, all tracks beyond the current track number will be played. The EDIT function remains ON until you cancel it – even in stand-by.

*NOTE! If you do not choose whether you want to include or exclude a track within the 15 second playback, the CD player will include the track automatically. If you choose to leave EDITING before you have scanned, accepted or excluded all the tracks on the CD, the remaining tracks will be regarded as excluded from the track series.

Name your CDs

To distinguish between your individual CDs, you can name them. The name will then be shown in the display when you load the CD.

You can store a total of 200 names in your BeoSound 9000. Each name may contain up to 12 characters, including numbers. If you have not given a name to the CD, the track number, track time or elapsed time will appear in the display instead.

You can access a list of CD names in the display.

Name a CD

The CD you are naming must be playing in the BeoSound 9000. If the CD has already been named, you can change the name or delete it, or you can just leave the function by pressing CD.

CD	Press to play CD
NAMING	Press to access the naming function. 'A' is blinking in the first character position
A _ _ _ _ _ _ _ _ _ _	
▲	Press to reveal the characters one by one
▼	
OK	Press to move to the next character, press repeatedly to store the name, or...
CD	Press while you are naming CDs or track series in order to automatically store the name and exit the naming function

To clear a name...

- > Press **NAMING** to access the naming function.
- > Press **CLEAR** to clear the name.
- > Press **CD** to return to normal source operation.

The naming function can also be accessed from your Beo4 remote control...

- > Press the blue button for more than 1.5 sec. to call up NAMING? in the display.
- > Press **GO** and use the **▲** and **▼** buttons to select characters.
- > When you have finished, press and hold the **GO** button to move to the storing level.
- > Press **GO** to accept and **EXIT** to leave the CD naming procedure.

See the list of CD names

When the list is displayed, you can delete the names and any stored series of tracks at the same time.

CD	Press to play CD
NAMING	Press to access the naming list, CD LIST appears briefly, then the name of the current CD appears, for example GLENN MILLER
CD LIST	
GLENN MILLER	
▲	Press to list the names one by one and return to names further up the list
▼	
CLEAR	Press to clear a name while the appropriate name is displayed
CD	Press to return to normal source operation

*If the carriage is situated on a CD which has been given a name or the CD has been edited, the name or number of this CD will appear in the display when you access the list. If the CD under the carriage is unknown, the CD list will appear in the display and you have to press the **▲** or **▼** buttons to get a name or number displayed.*

If you attempt to name or program track series for more than 200 CDs the display will read CD LIST FULL, and you will have to clear an entry before you can add another.

NOTE! It is only possible to name CDs with the Beo4 remote control if your BeoSound 9000 is in Option 1, refer to page 33 for further information about Option settings.

Positioning CDs

For your aesthetic enjoyment you can position your individual CD to make the graphical design and text on the CD present itself to your satisfaction.

When you store a position for each CD, the BeoSound 9000 will remember these positions. No matter how many times you remove and reload the CDs, the individual CDs will be returned to these positions every time they stop turning*.

Load and adjust a CD manually

When you have loaded a CD, you adjust the position of the CD manually. Then you move the carriage to this particular CD and access the positioning function for CDs in order to store the position you have chosen.

Press the direct CD selection button next to the CD to move the carriage...

SELECT Press to select the CD you want to position

SELECT Press to save the position for the CD while it is playing

POSITION OK? POSITION OK? appears

OK Press to store the position you chose for the CD when it was loaded

Repeat this procedure for all the CDs you have loaded...

Clear the positioning

If you want to clear the position for a CD, move the carriage to the CD in question.

SELECT Press to select the CD you want to clear

SELECT Press to access the positioning function to clear the position

CLEAR Press to clear the position

*NOTE! Some CDs do not contain the information required by the BeoSound 9000 in order to store positions for CDs. Therefore, you may experience that the position you have stored for a CD is not adhered to by the BeoSound 9000. You will, of course, still be able to play the CD in question.

Display CD information

The BeoSound 9000 display can give you three different types of information about the CD being played:

- Name*
- Number of CD and track
- Number of CD and elapsed track time

To switch from one display to the other, you must press the OK button repeatedly while the CD is playing.

Switching between displays

Your chosen display indication for the CD player will remain in the display panel and only disappear temporarily when you undertake another operation on the BeoSound 9000 operation panel. Then the information which accompanies this operation will appear in the display for a short period of time.

CD	Press to play a CD
OK	Press repeatedly to change the CD display indication



The displays show the name of the CD, the number and track number of the CD, and the number of the CD along with the elapsed time of the current track in minutes and seconds.

*NOTE! You have to name the CD before a name appears in the display, please refer to *Name your CDs* for further information about naming.

Connecting extra equipment to your BeoSound 9000 enables you to listen to the sound of an external source through the speakers connected to your BeoSound 9000. However, all control operations must be carried out on the extra equipment you connect.

You can record the source, CD or radio, you are playing on the BeoSound 9000 via the AUX-socket onto Audio tape or another available media. The recording function must be carried out via the controls of the extra equipment.

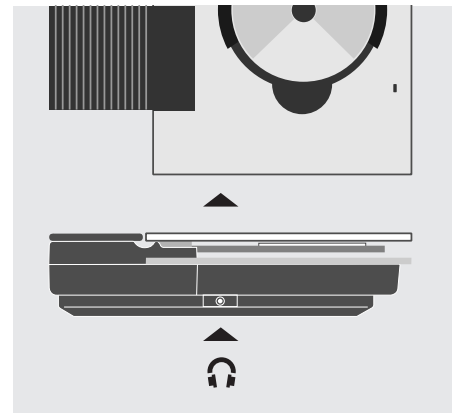
Listen to external sources

While you are playing an external source through your BeoSound 9000, you can still use the functions which relate to sound, please refer to the chapter *Adjust and store sound settings*.

- A. AUX** Press to select extra equipment
- VOL ^** Press to raise the volume
- VOL v** Press to lower the volume
- MUTE** Press to silence the speakers immediately – Press again to recall the sound

Extra equipment must be connected to the AUX-socket on the back of the BeoSound 9000. You will be able to record digital signals from the BeoSound 9000 to a Digital Audio Recorder via the digital output socket. Please refer to 'Connect the cables' for further information.

If you are recording from the BeoSound 9000 onto Audio tape, you will not be able to listen to another source, CD or radio, other than the one you are recording. If you change source while recording, you will then record this new source onto your Audio tape.



Connect Headphones to the socket placed in a low position on the side of the BeoSound 9000 cabinet.

NOTE!: Please contact you Bang & Olufsen retailer for complete information about which Bang & Olufsen or non-Bang & Olufsen products can be used with the BeoSound 9000.

Using the radio

To be able to use the radio, you must first tune in to the radio stations you want to store and then store them on programme numbers of their own.

You can change the programme number of your radio station any time – also without being in the process of tuning.

You can store up to 60 radio stations and if you like, you can give them a short name which you choose yourself. Please refer to *Name radio stations* for further information.

Presetting radio stations

Letting the BeoSound 9000 tune in your radio stations, ensures that you get all available stations. Once you have found a radio station, you can fine tune it, if the reception is poor.

RADIO	Press to turn on the radio
TUNE	Press to start the tuning function
AM/FM	Press to select AM or FM, switches from one to the other, check display for an indication of which one you have chosen
▲ ▼	Press to search for a radio station up or down the frequency band
OK	Press to accept the station you have found
P.NO.	Press to change the displayed programme number
▲ ▼	Press to select a programme number – up or down
OK STORED	Press to store your new radio programme – STORED appears in the display

Clearing presets

If you want to cancel one of your radio presets, you can do so using the CLEAR function.

RADIO	Press to turn on the radio
▲ ▼	Press to search for a programme number
CLEAR	Press to clear the programme
OK	Press to confirm the clearing of the radio programme
CLEARED	CLEARED will appear in the display

If a station needs fine tuning, or you wish to switch between mono and stereo sound on radio programs, please see 'Optimise radio sound'.

If a radio station is not tuned in clearly enough, it may be because the programme needs to be fine tuned.

You can also choose to alter the sound to your satisfaction by choosing between mono or stereo reception.

Fine tuning a radio station

The fine tuning function enables you to move slowly through the frequencies, or to detune a programme slightly because of noisy reception.

RADIO	Press to turn on the radio programme you want to fine tune
RADIO 11	The number of the last played radio programme is displayed, e.g. 11
TUNE	Press to make the frequency appear in the display, e.g. 88.4
TUNE	Press to access the fine tuning function
FINE 88.4	The display indicates that you can now fine tune the station
▲ ▼	Press to fine tune the station towards a higher or lower frequency
OK	Press to accept the fine tuned station
OK	Press again to store station and programme number

Once you have fine tuned the station, you can choose a different programme number if you like before you store it. Please refer to 'Presetting radio stations' for further information.

Mono/stereo reception

Your BeoSound 9000 automatically switches to mono if the stereo signal is not strong enough to produce an acceptable stereo sound. You can overrule this automatic function if you wish and select mono manually.

RADIO	Press to turn on the relevant radio station
TUNE	Press to select the tuning function and press repeatedly until you have reached the settings for mono/stereo reception
STEREO? MONO?	The display shows the choices...
▲ ▼	Press to select between the mono or stereo setting
OK	Press to store your new tuning on the programme number

Name radio stations

You can name all the radio stations you have stored. Choosing a name is completely up to you.

If you happen to make a mistake or change your mind while you are naming a radio station, simply press the NAMING button again – and start over.

If you want to clear the name after you have keyed it in, press CLEAR instead of OK and the name you have keyed in will be erased.

Naming radio stations

Naming your radio stations can help you remember a station not only by its number but by a particular name. When you are listening to a radio station, its name will appear in the display*. Once you have completed entering a name, you store the name and it will then appear every time you choose this station again.

RADIO	Press to turn on the radio station you want to name
NAMING	Press to start the naming function. The first of the twelve character positions blinks, indicating that you can start entering a name
▲	Press to reveal the characters one by one
▼	Press to reveal previously shown characters
OK	Press to move to the next character position
OK	Press to store the name of the radio station
	NAMING OK will appear in the display
RADIO	Press to store the name and exit the naming function

You can press RADIO at any time to store and exit the naming function...

Clear a name

If you have left the naming function and want to clear the name, return to the naming function and clear the name. If you do not name your stations, the station's own name may appear instead, provided such a name is being transmitted by the radio station itself*.

NAMING	Press to access the naming function
CLEAR	Press to clear the name

*NOTE! Such a name can only be transmitted if your BeoSound 9000 is equipped with the RDS facility. The RDS facility is not a standard feature in all BeoSound 9000, but it will be available as an optional extra.

Playing your radio stations

Having tuned in the radio stations you want, as shown on the previous pages, you are ready to listen to the radio.

Playing radio

When you turn on the radio, the station you were last listening to starts playing, and it will be indicated in the display, which radio station is playing. If you have given a name to the radio station, the display will read out that name.

Switching between displays

The display can give you four different types of information about the radio station you are listening to: Station name or RDS*, station number and radio frequency. The information you have chosen to display will remain on the BeoSound 9000 display until you choose another of the displays illustrated below.

RADIO

Press to turn on the radio



Press to step through your radio stations



Press to switch to stand-by

RADIO

Press to turn on the radio

OK

Press repeatedly to change the radio display indication, to show...

CLASSIC

Station name indication

RADIO 5

Programme number indication

P5 FM 89.9

Radio frequency indication

Adjust and store sound settings

All sound levels are set to neutral values from the factory, but you can make your own sound adjustments and store them.

The treble and bass levels can be raised or lowered as you like and you can alter the balance, i.e. the distribution of sound emerging from the loudspeakers to suit your listening position.

The BeoSound 9000 also features a loudness function which you can activate or deactivate as you like. The loudness function makes the music more dynamic. It compensates for the human ear's lack of sensitivity to high and low frequencies when listening to low music.

You can reset the sound levels to their original settings at any time. If you change your mind and do not wish to store your adjustments, simply press a source button on the BeoSound 9000 control panel.

Stored sound settings apply each time you switch on BeoSound 9000.

Sound adjustments

If you wish to alter the settings for sound, simply access the relevant function, make your adjustments and store the new setting.

TREBLE	Press to access the treble adjustment function
BASS	Press to access the bass adjustment function
BALANCE	Press to access the balance adjustment
▲	Press to raise or lower the treble or bass levels; or adjust the balance between the left and right speaker
▼	
LOUDNESS	Press to see the status of the loudness adjustment function – LOUDNESS ON or LOUDNESS OFF Press LOUDNESS again to change the setting
LOUDNESS ON	
LOUDNESS OFF	
OK	Press to accept all sound levels – SOUND OK? appears on the display
SOUND OK?	
OK	Press to store all sound levels

If you have not stored your sound adjustments...

RESET	Press to reset the sound levels to their previously stored settings
--------------	---------------------------------------------------------------------

VOLUME	42
TREBLE	0
BASS	-1
BALANCE	><
LOUDNESS	ON
SOUND OK?	

The first four displays are examples of levels that the different sound functions can be set to. Volume can be adjusted in steps of two within a range of 00 to 72, treble and bass levels can be adjusted within a range of -4 to +4 and the balance setting (here neutral) can be adjusted within a range of 8 to either side. The fifth example is a display, which shows the setting for the loudness function – ON if loudness is switched on, and OFF if loudness is switched off. The SOUND OK? display prompts you to store the current sound setting.

NOTE! When BeoSound 9000 is used in a fully integrated setup (see *Use BeoSound 9000 with a video system*), sound must be adjusted as described in the guide for your video system. The display on the BeoSound 9000 will read TV OPERATED.

The BeoSound 9000 CD player is operated from a distance via the Beo4 remote control.

The Beo4 remote control operates all the primary functions in the BeoSound 9000 such as turning on the radio or the CD player, changing radio stations, CD tracks or CDs. It also selects stations or CDs to be played, adjusts sound functions, pauses playback and finally switches to stand-by.

The Beo4 remote control enables you to select specific tracks on CDs, select sequences of specific discs to be played, search forward and backward on CDs, switch on the random order playback and edited order playback functions as well as it selects extra equipment.



- | | |
|---------------|--------------------------------------------------------------------------------------------------------------------------------------------------------------------------------------------------|
| RADIO | Press to switch on the radio |
| CD | Press to switch on the CD player |
| ▲
▼ | Step through your radio stations, or tracks on a CD. Press ▲ when RANDOM is shown in the display, to activate the function, and press ▼ to switch it off when the function is displayed |
| 0 – 9 | Use the number buttons to key in a radio station number or CD number. To select a track, press LIST until TRACK is shown in the display*, then use the number buttons to key in the track number |
| ◀ ▶ | Press to change to the previous or following CD |
| STOP | Press to pause playback any time |
| GO | Press to resume playback – The GO button equals OK on the BeoSound 9000 operation panel |
| LIST | Press to display extra buttons or functions*, e.g. RANDOM |
| RANDOM | |
| GO | Press to activate the source or function in the Beo4 display |
| ^
v | To turn the volume up or down, press in the middle to mute speakers, press again to recall sound |
| • | Switch the BeoSound 9000 to stand-by |

*NOTE! In order to display the relevant extra buttons on the Beo4, you must add them to the Beo4 list of functions. Please refer to Beo4's own User's Guide for information about how to add extra buttons to the Beo4.

Use BeoSound 9000 with a video system

To use the BeoSound 9000 together with a Bang & Olufsen video system they must be connected by a Master Link cable, this is a so-called Audio/Video (AV) integrated setup.

If you choose to interconnect your Bang & Olufsen products, you can distribute the sound from your sources throughout your home.

Many different setups are available, please contact a Bang & Olufsen retailer for further information.

Option programming is a prerequisite for integrated setups. It is not necessary if BeoSound 9000 is only connected to speakers!

Using BeoSound 9000 with a video system also requires that you use a Beo4 remote control. Refer to *Using the Beo4 remote control*, or the Beo4's own User's guide.

A fully integrated setup

When BeoSound 9000 is used in a fully integrated setup, the speakers are connected to the video system, and the video system takes over some of the functions mentioned in this guide. Furthermore, all remote control operations (audio and video) must be directed to the video system. Please refer to the guide for the video system, for further information.

To play a source in the AV system...

CD	Press a source button
RADIO	on the Beo4, e.g. CD,
TV	RADIO, TV, etc.

Simulcast radio/TV transmissions – to watch a TV channel while listening to the sound from a radio station...

TV	Press to switch on the TV
-----------	---------------------------

LIST	Press repeatedly until
AV	AV* appears in the
	Beo4 display

RADIO	Press to switch on the radio and start simulcast transmission
--------------	---------------------------------------------------------------

An AV integrated setup

In an AV integrated setup, a pair of active speakers are connected to the BeoSound 9000. You can hear any source you like in the loudspeakers of either system. The BeoSound 9000 and the video system do not have to be placed in the same room.

To play TV, video or satellite sound on the BeoSound speakers...

LIST	Press until AV* appears
AV	in the Beo4 display

TV	Press to hear TV sound,
V TAPE	video sound, or a
SAT	satellite TV/radio program

To play the radio or CD on the TV speakers...

LIST	Press until AV* appears
AV	in the Beo4 display

RADIO	Press to hear radio sound, or...
--------------	----------------------------------

CD	...press to hear a CD
-----------	-----------------------

*NOTE! In order to display AV on the Beo4, you must add it to the list of functions. Please refer to the Beo4's own User's guide for information on how to add functions to the Beo4.

Option programming

For BeoSound 9000 to be part of an AV setup, you must make sure it is set up to function with the other products you have connected. This means that you must program the BeoSound 9000 to the correct option.

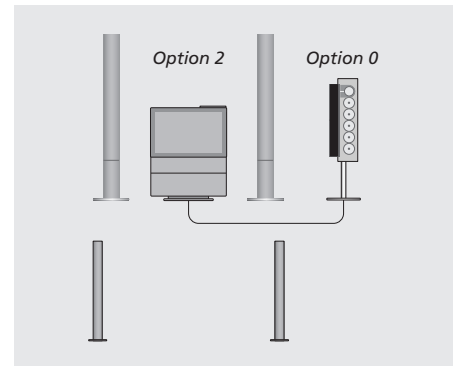
BeoSound 9000 has five different option settings:

- Option 0.** Used in a one-room AV setup. This Option is selected automatically if no speakers (or headphones) are connected directly to the BeoSound 9000.
- Option 1** (factory setting). Used when the BeoSound 9000 is used on its own, or when it is connected to active speakers in an AV integrated setup.
- Option 2.** Used when the BeoSound 9000 is set up in one room and connected to a video system set up in another room.
- Option 5.** Used when the BeoSound 9000 is set up in a link room which also comprises a Bang & Olufsen television.
- Option 6.** Used when the BeoSound 9000 is set up in a link room *without* a Bang & Olufsen television.

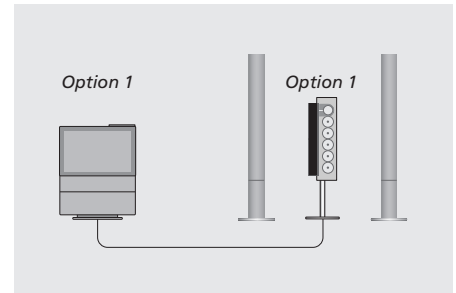
Switch your entire Bang & Olufsen system to stand-by, and then (using the Beo4 remote control):



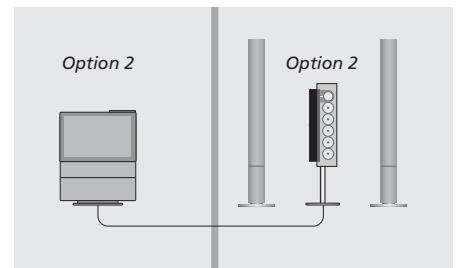
- > Hold the • button while pressing LIST.
- > When the Beo4 display reads OPTION?, press GO.
- > Press LIST to display A.OPT and then key in the appropriate number (0, 1, 2, 5 or 6).



In a fully integrated system, your BeoSound 9000 acts as a mere audio source. The sound is reproduced through the speakers in the BeoVision TV – or, as shown here, through a set of active speakers connected to the TV.



In a one-room AV integrated setup, a pair of active speakers has been connected to the BeoSound 9000.



In a two-room AV integrated setup, your BeoSound 9000 has been set up with a set of active speakers in one room, and the video system in another.

Looking after BeoSound 9000

Normal maintenance, such as cleaning the BeoSound 9000, is the responsibility of the user. To achieve the best result, please follow the instructions.

Do not use alcohol or other solvents to clean any part of BeoSound 9000!

Surfaces

Before you start cleaning BeoSound 9000, we recommend that you open the glass door and then switch off the mains. In this way all surfaces are accessible for cleaning.

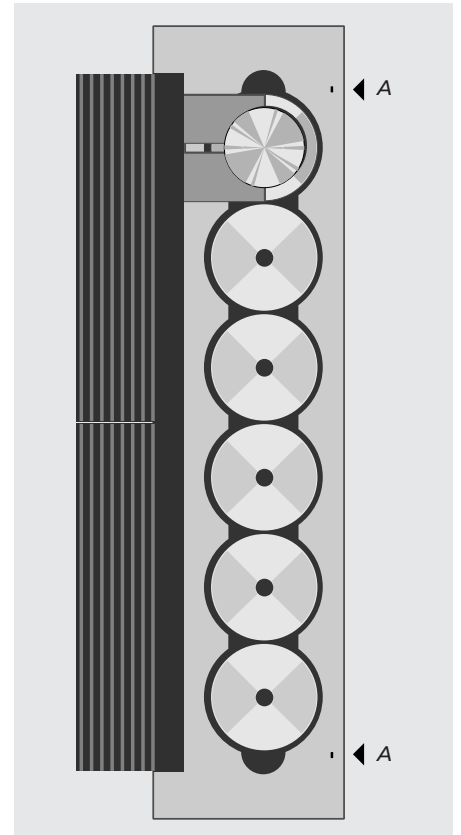
Use a soft, dry cloth to wipe dust off the BeoSound 9000. To clean the surfaces, we recommend that you use a mild window cleaner.

CD mechanism

The circuit controlling the movement of the CD carriage has a built-in safety function which protects your fingers, etc. from being hit by the fast moving carriage. This circuit depends on light/reflections, and works via opto-coupling devices built into the two small 'pegs' (A). When the glass door is opened, or if something interrupts the light-circuit, the carriage slows down in speed, and finally comes to a halt.

Over time dust may build up and thus reduce the light emitted to and from the opto-coupling devices. Dust particles on the inside of the glass door may also cause extraordinary reflections which may be interpreted by the safety function in a wrong way.

So, in order to prevent malfunction of the safety circuit, we recommend that you wipe dust off the two pegs (A) on a regular basis. Likewise, when cleaning the surfaces of BeoSound 9000, remember also to clean the inner surface of the glass door.



NOTE! Treat the glass door with great care! If it cracks or chips, or if it is damaged in any other way, it must be replaced immediately as it could otherwise cause great bodily harm. If the glass door should need to be replaced, please contact your Bang & Olufsen retailer.

CLEANING RE
NG REQUIRED

If dust builds up in the opto-coupling devices, the CD carriage will slow down, and the cue 'CLEANING REQUIRED' appears in the BeoSound 9000 display.

When the cue appears you must:

- > Switch off the BeoSound 9000.
- > Wipe dust off the two 'pegs' (A).
- > Clean the inner surface of the glass door.
- > Switch BeoSound 9000 on again.

Handling your CDs

IMPORTANT! If you experience any problems when trying to play a particular CD always check it for faults (scratches, fingerprints, dust or dirt, etc.). Dust may build up on the CDs, especially if you leave them sitting in the BeoSound 9000 for a long time.

If there are no visible faults on the CD, please contact your Bang & Olufsen retailer. Do not attempt to clean the optics of the CD mechanism yourself – this **must** be done by a qualified technician only!

*We **do not** recommend using special cleaning CDs in BeoSound 9000!*

The PIN-code system

You can protect your BeoSound 9000 by entering a four-digit PIN (Personal Identification Number) code. Should your BeoSound 9000 be disconnected from the mains for more than 30 minutes, only those who know your PIN-code can gain access to your BeoSound 9000.

If the PIN-code is not entered, the BeoSound 9000 automatically switches to standby after 3 minutes.

To activate the PIN-code system, to change your code or to delete it altogether, your BeoSound 9000 must be in stand-by mode.

If you should lose or forget your code, contact your Bang & Olufsen retailer for a master code that disables your PIN-code and gives you access to your BeoSound 9000.

Activate the PIN-code system

While the BeoSound 9000 is in stand-by mode you can set up the PIN-code.

▼	Press twice followed
▼	by PAUSE to activate
PAUSE	the PIN-code function.
NEW PIN	The display shows
	NEW PIN for 1.5 sec....
PIN _ _ _ _	...then you can enter a
	PIN-code
▲	Press to select a digit*
▼	
OK	Press to accept the digit

*The digit is replaced by a **—** and the next underscore blinks. Continue to enter the last three digits in the same manner.*

If you wish to change the entered digits...

RESET	Press to start entering from the beginning
--------------	--------------------------------------------

When the PIN-code has been entered...

OK	Press to accept the PIN-code. The display shows
CONFIRM	CONFIRM for 1.5 sec....
PIN _ _ _ _	...then re-enter the PIN-code
OK	Press to confirm the PIN-code
STORED	The display shows that your setting is stored

If an incorrect code is entered the second time you must set up the PIN-code from the beginning.

Change or delete your PIN-code

While the PIN-code function is turned on you can always make changes to the PIN-code.

▼	Press twice followed
▼	by PAUSE to activate
PAUSE	the PIN-code function
PIN _ _ _ _	Enter the current PIN-code. The display shows
NEW PIN?	NEW PIN?
	NEW PIN?
▲	Press to choose from
▼	the two options
NEW PIN?	NEW PIN? or PIN OFF?
PIN OFF?	

Select NEW PIN? to change your PIN-code

PIN _ _ _ _	Enter the new PIN-code
OK	Press to accept the new PIN-code. The display shows
CONFIRM	CONFIRM for 1.5 sec....
PIN _ _ _ _	...then re-enter the new PIN-code
OK	Press to confirm the new PIN-code
STORED	The display shows that your new PIN-code is stored

Select PIN OFF? to delete your PIN-code...

DELETED	The PIN-code function is disabled and the display shows DELETED for 3 sec.
----------------	----------------------------------------------------------------------------

For security reasons it is only possible to change or verify the PIN-code five times within a period of 3 hours. If an incorrect code is entered five times, BeoSound 9000 is turned off, and must be left in stand-by mode for 3 hours, before you may try again.

*NOTE! It is also possible to enter the digits using the number keys 0 – 9 on your Beo4 remote control.

Using your PIN-code

When a PIN-code has been programmed, and the BeoSound 9000 has been disconnected from the mains for more than 30 minutes, you must enter the PIN-code when the BeoSound 9000 is turned back on.

PIN _ _ _ _	Enter the PIN-code
▲ ▼	Press to select a digit
OK	Press to accept the digit
RADIO 1	When the PIN-code has been entered the display returns to the relevant source display e.g. RADIO 1

If an incorrect PIN-code is entered the display will show ERROR and you may try again. After the fifth try, the BeoSound 9000 is turned off, and must be left in stand-by mode for 3 hours, before you can try again.

Did you forget your PIN-code?

Should you forget your PIN-code you can require a five-digit Master Code from your Bang & Olufsen retailer.

When you have received a Master Code...	
PIN _ _ _ _	When the display is open for PIN-code input...
▼	Press the button for more than 3 seconds to change the display to fit 5 digits
PIN _ _ _ _ _	Enter the Master Code
▲ ▼	Press to select a digit
OK	Press to accept the digit
DELETED	The display shows that the PIN-code lock is off

When the Master Code is entered, the BeoSound 9000 can be used without entering the code again.

For your information...

Your needs as a user are given careful consideration during the design and development process of a Bang & Olufsen product and we strive to make our products easy and comfortable to operate.

Therefore, we hope that you will take the time to tell us about your experience with your Bang & Olufsen product. Anything which you consider important – positive or negative – may help us in our efforts to refine our products.

Thank you!

Write to: Bang & Olufsen a/s
 Consumer Service dept.
 7210 Peter Bangs Vej 15
 DK-7600 Struer

or fax: Bang & Olufsen
 Consumer Service
 +45 97 85 39 11 (fax.)

or e-mail: beoinfo1@bang-olufsen.dk

Visit our Web-site on...
 www.bang-olufsen.com

NOTE: This equipment has been tested and found to comply with the limits for a class B digital device, pursuant to part 15 of the FCC Rules. These limits are designed to provide reasonable protection against harmful interference in a residential installation.

This equipment generates, uses and can radiate radio frequency energy and, if not installed and used in accordance with the instructions, may cause harmful interference to radio communications. However, there is no guarantee that interference will not occur in a particular installation. If this equipment does cause harmful interference to radio or television reception, which can be determined by turning the equipment off and on, the user is encouraged to try to correct the interference by one or more of the following measures:

- Reorient or relocate the receiving antenna.
- Increase the separation between the equipment and receiver.
- Connect the equipment into an outlet on a circuit different from that to which the receiver is connected.
- Consult the retailer or an experienced radio/TV technician for help.

This class B digital apparatus meets all requirements of the Canadian Interference-Causing Equipment Regulations.



This product fulfils the conditions stated in the EEU directives 89/336 and 73/23.



The black and yellow label on the compact disc player serves as a warning that the apparatus contains a laser system and is classified as a class 1 laser product. In case any difficulties arise with the compact disc player, please contact a Bang & Olufsen retailer. The apparatus must be opened by qualified service personnel only.



CAUTION: The use of any controls, adjustments or procedures other than those specified herein may result in hazardous radiation exposure.

