



## CERAMIC FAN HEATER

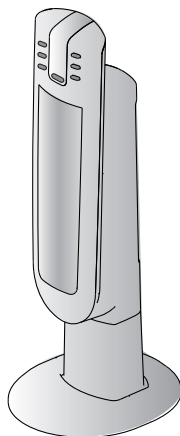
INSTRUCTIONS FOR USE  
SAVE THESE INSTRUCTIONS

## RADIATEUR SOUFFLANT EN CÉRAMIQUE

CONSIGNES D'UTILISATION  
CONSERVER CES CONSIGNES

## TERMOVENTILADOR CERÁMICO

INSTRUCCIONES DE USO  
GUARDE ESTAS INSTRUCCIONES  
LEA CUIDADOSAMENTE ESTE INSTRUCTIVO ANTES  
DE USAR SU APARATO



**MODEL/MODELE/MODELO**  
TCH7690ER

Register this product online and receive a free trial issue of Cook's Illustrated.  
Visit [www.delonghiregistration.com](http://www.delonghiregistration.com).  
Visit [www.delonghi.com](http://www.delonghi.com) for a list of service centers near you.

Enregistrez ce produit en ligne et recevez un numéro gratuit de Cook's Illustrated.  
Visitez [www.delonghiregistration.com](http://www.delonghiregistration.com).  
Visitez [www.delonghi.com](http://www.delonghi.com) pour y voir une liste des centres de réparation proches de chez vous.

Registre este producto en línea y reciba un ejemplar gratis de Cook's Illustrated.  
Visite [www.delonghiregistration.com](http://www.delonghiregistration.com).  
Visite [www.delonghi.com](http://www.delonghi.com) para ver la lista de centros de servicios cercanos a usted.

ELECTRIC CHARACTERISTICS/ CARACTÉRISTIQUES ÉLECTRIQUES  
CARACTERÍSTICAS ELÉCTRICAS  
120V~60Hz 1500W

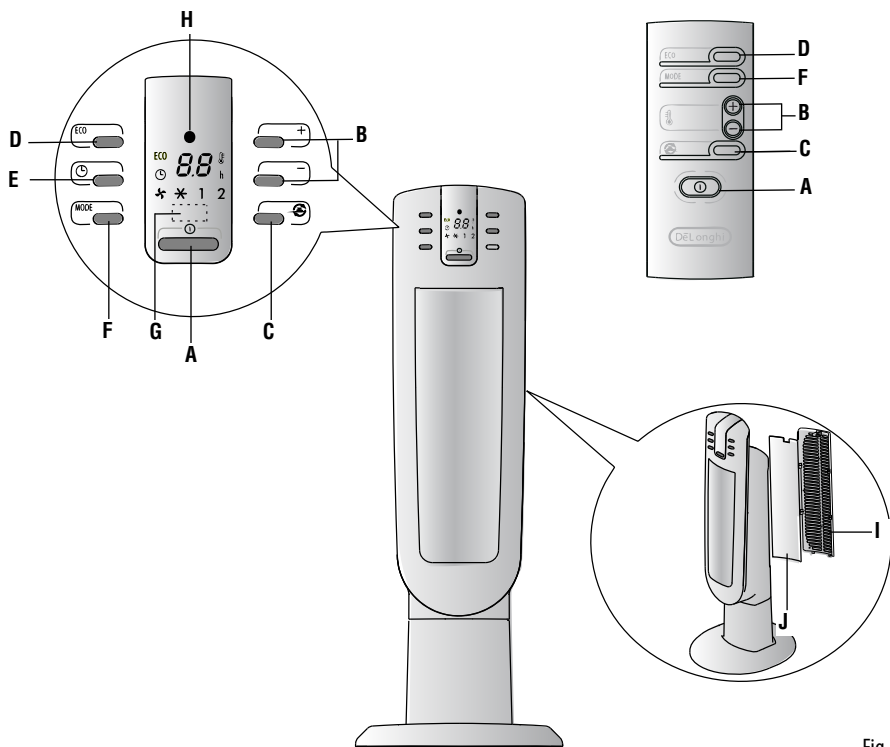


Fig. 1

**EN**

**DESCRIPTION**

- A** ON/OFF button
- B** +/- Adjustment buttons
- C** Oscillation button
- D** "ECO" function button
- E** Timer button
- F** MODE button  
(for selecting the operating mode)
- G** Receiver for remote control
- H** Power indicator light
- I** Back cover
- J** Filter

**FR**

**DESCRIPTION DE L'APPAREIL**

- A** Touche ON/OFF
- B** Touches de réglage +/-
- C** Touche d'oscillation
- D** Touche «ECO»
- E** Touche minuterie
- F** Touche MODE (sélection du mode de fonctionnement)
- G** Récepteur de la télécommande
- H** Lampe témoin
- I** Couverture arrière
- J** Filtre

**ES**

**DESCRIPCIÓN**

- A** Botón de Encendido/Apagado (ON/OFF)
- B** Botones de ajuste +/-
- C** Botón de oscilación
- D** Botón de función "ECO"
- E** Botón de temporizador
- F** Botón MODE (MODO – para seleccionar el modo de funcionamiento)
- G** Receptor del control remoto
- H** Luz indicadora de encendido
- I** Cubierta posterior
- J** Filtro

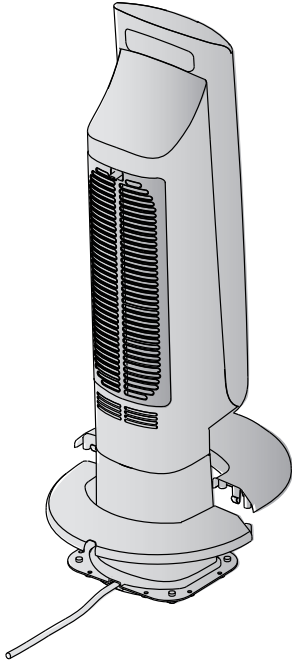


Fig. 2

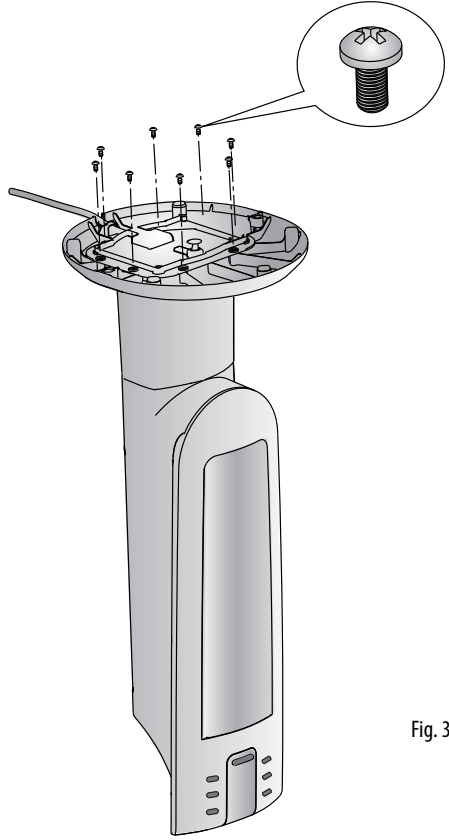
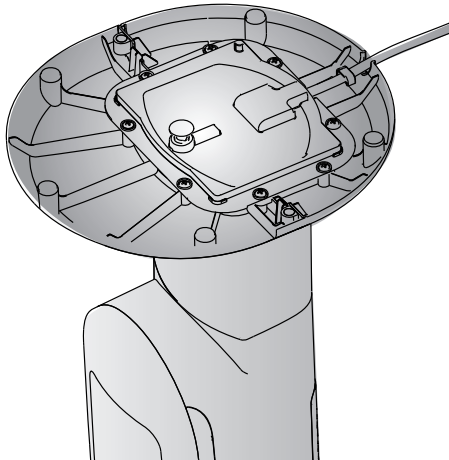


Fig. 3

Fig. 4



## IMPORTANT INSTRUCTIONS

When using any electrical appliance, some basic safety precautions should always be observed to reduce the risk of fire, electric shock, and/or injury to persons. Specifically:

1. Read all instructions carefully before using the appliance.
2. This appliance gets very hot when in use. To prevent burns, do not touch hot surfaces with bare skin. Use the handle when moving the appliance. Keep all flammable materials, such as furniture, pillows, bedding, paper, clothing, and curtains at least 3 feet (90 cm) from the front and top of the appliance also avoid contact with the sides and back.
3. The appliance is not intended for use by persons (including children) with reduced physical, sensory or mental capabilities, or lack of experience and knowledge, unless they have been given supervision or instruction concerning use of the appliance by a person responsible for their safety. Children should be supervised to ensure that they do not play with the appliance.
4. Always disconnect the plug from the power outlet when the appliance is not in use.
5. **Do not operate the appliance with a damaged cord or plug, after faulty operation, or when it has been dropped or damaged in any way. Contact the nearest authorized service facility for examination, electrical or mechanical adjustment, or repair.**
6. Do not use the appliance outdoors.
7. This heater is not intended for use in bathrooms, laundry areas, or similar indoor locations. Never position the appliance where it may fall into a bathtub or come in contact with water.
8. Do not run the power cord under carpeting. Do not cover cord with throw rugs, runners, or the like. Keep the cord away from any passageways where it could be tripped over.
9. To completely turn off the appliance, push the ON/OFF button (A), and then unplug the heater.
10. Do not wrap the cord around the appliance immediately after use.
11. Do not insert or allow foreign objects to get into the air intake or air outlet grille, as this may cause electric shock or fire, or damage the appliance.
12. To prevent a possible fire, do not block air intake or air outlet grille in any way. Do not use the appliance on soft surfaces, such as beds, where the openings may become blocked.
13. Do not cover the appliance while it is functioning in order to avoid overheating and the risk of fire.
14. The internal parts of the appliance can become very hot or produce sparks during operation. Do not use the appliance in areas where gasoline, paints, or other flammable liquids are used or stored.
15. Use this appliance only as described in this manual. Any other use not indicated by the manufacturer may cause fire, electric shock, or injury to persons.
16. To prevent current overload and blown fuses, make sure that no other appliance is plugged into the same outlet or into another outlet wired into the same circuit.
17. It is normal for heater's plug and cord to feel warm to the touch. However, an excessively hot or deformed plug or cord is not normal and may be the result of a defective electrical outlet. Defective outlets must be replaced before using the heater. Plugging the heater into a worn outlet may result in overheating of the power cord or may cause the risk of fire.
18. If the supply cord is damaged, to reduce the risk of malfunction it must be replaced by the manufacturer, its service agent, or a licensed and qualified professional.
19. Do not use this appliance with an extension cord or outlet strip. Connect the appliance directly to a suitable outlet.
20. Make sure that the plug is fully inserted into the outlet. Wall outlets may deteriorate with time, so check the plug periodically for signs of overheating or deformation. If the outlet has deteriorated, stop using it and have it repaired.

21. Check that neither the appliance nor the power cord have been damaged during shipping.
22. Make sure that no styrofoam or other packing materials remain in the appliance.
23. The first time the appliance is used, run it at the maximum power for at least two hours. During this time, ventilate the room thoroughly to eliminate the "new" smell released by the appliance. It is completely normal for the appliance to emit "creaking" sounds the first time it is run.
24. **CAUTION: To prevent electric shock, make sure the wide prong of the plug is inserted in the wide slot of the outlet.**
25. Do not place the heater near a bed because objects such as pillows or blankets can fall off the bed and be ignited by the heater.
26. Extreme caution is necessary whenever the heater is left operating unattended.
27. Do not open the appliance. No user-serviceable parts inside.

## SAVE THESE INSTRUCTIONS For Household use only

### ELECTRICAL CONNECTION

Before connecting the plug to the power outlet, make sure that the voltage of your electrical system corresponds to the voltage shown on the appliance rating label and the outlet you are going to use is in good condition.

### INSTALLATION

The appliance may be used on any rigid horizontal surface. Do not overload the electrical circuit; avoid using the same outlet for multiple appliances.

### ASSEMBLING THE APPLIANCE

1. Connect the base of the appliance to the body, inserting the pegs in the seats provided (see Figure 2).
2. Turn the appliance over and fasten the base to the body using the screws provided (see Figure 3).
3. Run the power cord through the opening provided on the base (see Figure 4).

### TOOLS NEEDED AND ESTIMATED TIME

1 Phillips head screwdriver type PH 2 x 100  
8 screws (included)  
Assembly time: approx. 5 minutes

### OPERATION AND USE

1. Connect the appliance to the power outlet.
2. The appliance emits a beep and the power indicator light (H) comes on and remains on as long as the appliance is powered.
3. The appliance goes into OFF and the display shows a dot "I". If the dot is blinking it means that the tip over switch has been activated. See paragraph: "Additional safety features" page 7.
4. Press the ON/OFF button (A) to turn on the appliance. It will begin to heat with the predefined settings.

5. Press the MODE button (F) to select one of the following functions available:

**Ventilation (☼) → Anti-freeze (✖) → Heating at minimum power (1) → Heating at maximum power/BOOST function (2)**

#### 5.1 Ventilation (☼)

In this operating mode only the fan operates, so the appliance does not heat the room.

#### 5.2 Anti-freeze (✖)

In this operating mode the appliance keeps the room at a temperature of 45°F (7°C) to prevent freezing temperatures.

#### 5.3 Heating 1 and Heating 2

In this operating mode you can set the desired temperature by pressing the + and - adjustment buttons (B).

##### Heating 1 (minimum power level):


The appliance operates at the minimum power, reducing noise and energy consumption to the minimum.

##### Heating 2/BOOST function (maximum power level):

The appliance operates at the maximum power for rapid heating of the room.

#### 6. Eco function


In this operating mode the appliance will automatically set the power level to guarantee the best comfort reducing the energy consumption. In this operating mode the unit may switch the heating power level from maximum to minimum and viceversa, several times in an hour. When using the ECO function, the maximum temperature setting is 79°F (26°C). To activate this function, press the ECO button (D). The unit, will always start at the maximum power.



7. If you want the appliance to distribute the airflow over a larger area, press the oscillation button (C) (  ). The appliance will then oscillate right and left. To stop the oscillation in the desired position, just press oscillation button (C) again.
8. To turn off the appliance press button ON/OFF (A). The display will show a countdown for about 6 seconds.

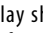
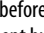
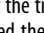
**NOTE:** The display can show the temperature in both °F and °C. To change the temperature scale, press and hold the + key for few seconds, then release. Please be informed that as this is not a precision device, the showed temperature not necessary corresponds to the real one.

### 24-HOUR DIGITAL TIMER


This function can be activated from any operating mode.

**Delayed switch-on:** with the appliance in the OFF position, press the timer button (E) (  ).

The display shows the symbol (  ) and the time remaining before switch-on. To set the timer, use the + and - adjustment buttons (B), then wait a few seconds for the programming to be set. The display returns to show "●" for stand-by and the symbol (  ) to indicate you have set the timer. When the programmed time has been reached, the appliance turns on with the same settings it had during the previous operation.

**Delayed shut-off:** With the appliance on, press the timer button (E) (  ). The display shows the symbol (  ) and the time remaining before shut-off. To set the timer, use the + and - adjustment buttons (B), then wait a few seconds for the programming to be set. The display returns to show the current settings and the symbol (  ) to indicate you have set the timer. When the programmed time as been reached the appliance shuts off automatically.

If you want to go back to operation without the timer, press the timer button (F) twice.

The timer symbol (  ) disappears from the display.

### USING THE REMOTE CONTROL

- The remote control functions correspond to those on the control panel. See the section "Operation and Use" on the previous page for a description of the functions.

### Inserting or replacing the batteries

- Remove the cover on the rear of the remote control;
- Insert two AAA (R03/1.5V) batteries (included but packaged separately) making sure they are in the correct position (see the instructions inside the battery compartment);
- Do not mix old and new batteries;
- Do not mix alkaline, standard (carbon-zinc), or rechar-

geable (ni-cad, ni-mh, etc) batteries

- Replace the cover;
- Old batteries must be removed and disposed of in accordance with current legislation as they are harmful to the environment.

### MAINTENANCE

- Before carrying out any maintenance, always remove the plug from the power outlet.
- **During the season when the appliance is being used, regularly clean the air intake and outlet grilles using a vacuum cleaner.**
- Never use abrasive powders or solvents to clean the appliance.
- Remove the back grille by pulling it outward (Fig. 1).
- Remove the dust filter that filters impurities from the air taken in from the room, blow it lightly, then reposition it in the appliance.

### WARNINGS

- Never use this heating appliance in the immediate vicinity of a bathtub, shower, or swimming pool.
- Use the appliance always and only in the vertical position.
- Do not use the appliance to dry laundry, and do not obstruct the air intake and outlet grilles (danger of overheating).
- Do not operate the appliance in contact with walls, furniture, curtains, etc.
- Do not use the appliance before assembling the base, as shown on paragraph "assembling the appliance".
- If the power cord is damaged, it must be replaced by the manufacturer, the authorized service facility, or a qualified electrician, in order to prevent the risk of malfunction.
- Do not cover the appliance while it is operating, as this could potentially cause a fire.
- Do not use this appliance in a room smaller than 43 square feet (4 m<sup>2</sup>).
- Heaters should never be used with an extension cord or outlet strip. Heaters should be plugged directly into an outlet.
- Before storing the appliance, check it is completely off and the cable is unplugged. At this point wrap the cord around the base. Do not store in a dusty room. The room temperature should be between 32-86°F (0-30°C). Do not load anything above it.
- Heaters draw more current than small appliances, overheating of the outlet may occur even if it has not occurred with the use of other appliances.

### Additional safety features

1. **Overheating protection:** a safety device switches the heater off if it **accidentally overheats** (e.g. air intake and outlet grilles obstructed, filter clogged). In this case remove the plug from the power outlet and leave it unplugged for a few minutes, eliminate the cause of overheating, then plug the fan heater back and turn it on again.
2. **Tip over safety switch:** a safety tip-over switch turns the heater off if it tips over or is positioned in an improper way that could jeopardize safety. The appliance emits a beep and the display will show a blinking dot. After the appliance has been restored in the vertical position it will take just few seconds to start on again.

**Note:** To avoid overheating the appliance, do not cover it.

### TROUBLE-SHOOTING

In case "PF" is displayed and a warning sound is emitted, there is a fault on the temperature sensor. If the problem persists contact the Service Center.

If the appliance shuts off unexpectedly:

- Check that the appliance is receiving power.
- Check that the appliance is in the vertical position and on a flat surface, as the safety tip-over switch may have been tripped.
- Check the temperature set and the timer: the appliance may be off because the set temperature has been reached or the time set on the timer has elapsed.

**NOTE:** This equipment has been tested and found to comply with the limits for a Class B digital device, pursuant to Part 15 of the FCC Rules. These limits are designed to provide reasonable protection against harmful interference in a residential installation. This equipment generates, uses and can radiate radio frequency energy and, if not installed and used in accordance with the instructions, may cause harmful interference to radio communications. However, there is no guarantee that interference will not occur in a particular installation. If this equipment does cause harmful interference to radio or television reception, which can be determined by turning the equipment off and on, the user is encouraged to try to correct the interference by one or more of the following measures:

- Reorient or relocate the receiving antenna.
- Increase the separation between the equipment and receiver.
- Connect the equipment into an outlet on a circuit different from that to which the receiver is connected.
- Consult the dealer or an experienced radio/TV technician for help.

Modifications not approved by the party responsible for compliance could void user's authority to operate the equipment.



## LIMITED WARRANTY

**This warranty applies to all products with De'Longhi or Kenwood brand names.**

### **What does the warranty cover?**

We warrant each appliance to be free from defects in material and workmanship. Our obligation under this warranty is limited to repair at our factory or authorized service center of any defective parts or part thereof, other than parts damaged in transit. In the event of a products replacement or return, the unit must be returned transportation prepaid. The repaired or new model will be returned at the company expense.

This warranty shall apply only if the appliance is used in accordance with the factory directions, which accompany it, and on an Alternating current ( AC ) circuit.

### **How long does the coverage last?**

This warranty runs for one year (1) from the purchase date found on your receipt and applies only to the original purchaser for use.

### **What is not covered by the warranty?**

The warranty does not cover defects or damage of the appliance, which result from repairs or alterations to the appliance outside our factory or authorized service centers, nor shall it apply to any appliance, which has been subject to abuse, misuse, negligence or accidents. Also, consequential and incidental damage resulting from the use of this product or arising out of any breach of contract or breach of this warranty are not recoverable under this warranty. Some states do not allow the exclusion or limitation of incidental or consequential damage, so the above limitation may not apply to you.

### **How do you get service?**

If repairs become necessary, see contact information below:

**U.S. Residents:** Please contact our toll free hotline at 1-800-322-3848 or log onto our website at [www.delonghi.com](http://www.delonghi.com)

**Residents of Canada:** Please contact our toll free hotline at 1-888-335-6644 or log onto our website at [www.delonghi.com](http://www.delonghi.com)

**Residents of Mexico:** Please contact our toll free number 01-800-711-8805 for assistance or log onto our website at [www.delonghi.com](http://www.delonghi.com)

The above warranty is in lieu of all other express warranties and representations. All implied warranties are limited to the applicable warranty period set forth above. This limitation does not apply if you enter into an extended warranty with De'Longhi. Some states/countries do not allow limitations on how long an implied warranty lasts, so the above exclusions may not apply to you. De'Longhi does not authorize any other person or company to assume for it any liability in connection with the sale or use of its appliance.

### **How does country law apply?**

This warranty gives you specific legal rights, and you may also have other rights, which vary from state to state/country to country.